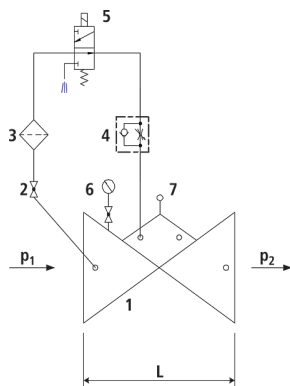
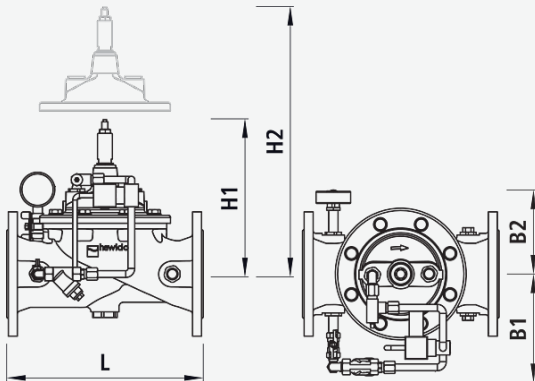


On/Off valve for electrical remote control - closed without current

1703



Components

- 1: Main valve
- 2: Ball valve
- 3: Filter
- 4: Throttle check valve
- 5: Electric solenoid valve
- 6: Pressure gauge with ball valve
- 7: Opening limiter

Physical characteristics

- The main valve is a hydraulically operating diaphragm valve. The work energy is the inherent medium.
- Most valve types operate purely hydraulically without any foreign energy.

Application

- To use in drinking water systems (other media after consultation)
- Opening or closing a supply system by means of an electrical signal

Mode of operation

- The open/close valve hydraulically opens or closes for the electric actuation via the solenoid valve fitted on the control line. The valve is shut when the power is off. The closing speed can be adjusted by means of a throttle non-return valve to prevent surges in pressure.

Product information

- To calculate the dimensions of the valve please refer to the following information:
- Maximum and minimum inlet pressure (static and dynamic pressure ratios)
- Existing counterpressure of the reservoir
- Required flow rate
- Maximum permissible loss of pressure
- Voltage information for the solenoid valve
- Available line diameters and lengths
- Construction of the valve (straight or angle design)
- For the calculation basis, information on the loss of pressure and the characteristic values of the valve, please refer to the end of Chapter E.

Design

- Design according to DIN EN 1074
- Construction length acc. to DIN EN 558
- Flange mass according to DIN 1092-2, to PN 25 DN 300
- Pressure levels: PN 10 or PN 16 to DN 300, PN 25 to DN 200, higher pressures on request.
- Nominal widths DN 50, DN 80, DN 100 and DN 150 available in angular design
- Nominal widths 1 ½" and 2" with threaded connection (female thread)
- Medium temperature up to 40°C

Installation and assembly

- Shut-off valves should be fitted on both sides of the valve and a dirt trap should be installed on the inlet side of the valve. Depending on the installation situation, a mounting/dismounting adapter should be provided.

Vantages

- Maintenance-free, non-rusting valve seat
- Pressed-in seat
- EWS-coating according to RAL GSK

Caution

- Dimension H1 with electric position indicator and opening limiter is 110 mm higher up to DN 100 and 130 mm higher at DN 125 to DN 300.

Article No.	DN	PN (bar)	L (mm)	B1 (mm)	B2 (mm)	H1 (mm)	H2 (mm)	KVS l/min.	weight (kg)	NPK No. 411	Availability
1703007000	1 1/2"	16	210	155	160	220	400	315	9.000		on demand
1703008000	2"	16	210	160	160	220	400	460	9.000		on demand
1703040000	40	16	200	155	160	220	400	315	11.100	845115	on demand
1703050000	50	16	230	160	160	220	400	506	16.750	845116	on demand
1703050025	50	25	230	160	160	220	400	506	16.750		on demand
1703065000	65	16	290	190	160	240	400	725	21.800	845117	on demand
1703080000	80	16	310	190	180	260	400	1200	27.900	845118	on demand
1703100000	100	16	350	190	200	290	400	2150	35.900	845119	on demand
1703125000	125	16	400	200	210	390	500	2955	52.000	845121	on demand
1703150000	150	16	480	220	220	420	500	4960	76.000	845122	on demand
1703200000	200	10	600	240	250	470	550	7640	115.100	845123	on demand
1703200016	200	16	600	240	250	470	550	7640	115.100		on demand
1703250000	250	10/16	730	275	270	600	750	11600	247.500	845124	on demand
1703300000	300	10/16	850	275	280	600	750	24600	358.500	845125	on demand

Comment: Up to DN 100 as per the diagram. From DN 125 with orifice plate and 2/2-way solenoid valve.