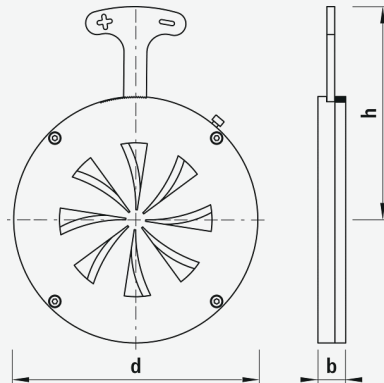


Orifice for installation between flanges, type B

1090



Application

- To use in drinking water systems (other media after consultation)
- Static choke element for setting up a constant flow rate.
- Used as a back pressure orifice as a cavitation protection after the valves.
- Not to be used as shut-off fittings

Installation and assembly

- Installation between the flanges and on both sides of the seal.

Mode of operation

- The orifice plate is installed between the flanges. The settings are adjusted according to the manufacturer's specifications. The advantage of this orifice plate is that it can be adjusted when it has already been installed.

Caution

- For adjust the orifice only use the adjusting tool (No. 1199000101).

Product information

- To calculate the dimensions of the orifice plate please refer to the following information: required flow rate, necessary pressure differential or both specifications.

Vantages

- Adjustability in installed state.
- maintenance-free, corrosion-resistant version

Article No.	DN	PN (bar)	B (mm)	D (mm)	H (mm)	weight (kg)	Availability
1090040500	40	16	18	90	102.5	0.837	assembly time
1090050500	50	16	18	105	110	1.114	assembly time
1090065500	65	16	18	125	120	1.527	assembly time
1090080500	80	16	18	140	128	1.713	assembly time
1090100500	100	16	18	160	138.5	2.147	assembly time
1090125500	125	16	23	190	154	3.400	assembly time
1090150500	150	16	23	210	172.5	4.185	assembly time
1090200500	200	10	23	265	204	6.145	assembly time
1090200516	200	16	23	265	200	6.334	assembly time